



3FE25

3" - 20 W - 91 dB

NOMINAL SPECIFICATIONS

Nominal Diameter	80 mm (3 in)
Overall Diameter	105.6/81 mm (4.16/3.19 in)
Bolt Circle Diameter	92 mm (3.62 in)
Baffle Cutout Diameter	73.6 mm (2.90 in)
Depth	54.5 mm (2.15 in)
Flange and gasket Thickness	6.5 mm (0.26 in)
Net Weight	545 g (1.2 lb)
Shipping Box	285 x 285 x 255 mm
(Single Carton Box - 36 units)	(11.2 x 11.2 x 10.0 in)
Shipping Weight (36 units)	20.8 kg (45.9 lb)

TECHNICAL PARAMETERS

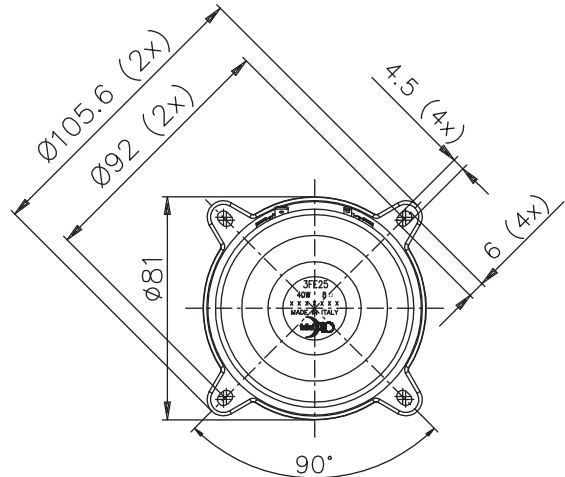
Nominal Impedance	4 Ω
Minimum Impedance	3.5 Ω
AES Power Handling (1)	20 W
Maximum Power Handling (4)	40 W
Sensitivity (1W/1m)	91 dB
Frequency Range	100 ÷ 20000 Hz
Voice Coil Diameter	19 mm (0.75 in)
Winding Material	Al
Former Material	Kapton
Winding Depth	4.8 mm (0.19 in)
Magnetic Gap Depth	4 mm (0.16 in)
Flux Density	1.1 T
Magnet	Ferrite Ring
Basket Material	Steel
Demodulation	Copper Cap
Cone Surround (5)	Half Roll
NET Air Volume filled by Loudspeaker	0.125 dm ³ (0.004 ft ³)
Spider Profile	1x constant height waves

THIELE & SMALL PARAMETERS

Fs	110 Hz
Re	3.3 Ω
Qes	0.73
Qms	3.9
Qts	0.62
Vas	1.15 dm ³ (0.04 ft ³)
Sd	30.2 cm ² (4.68 in ²)
Xmax (2)	1.73 mm
Xdamage (3)	7.9 mm
Mms	2.4 g
Bl	3 N/A
Le	0.04 mH
Mmd	2.3 g
Cms	0.89 mm/N
Rms	0.42 kg/s
η _e (Eta Zero)	0.22 %
EBP	151 Hz

NOTE:

- (1) 2 Hours Test According to AES 2-1984 Rev. 2003
 - (2) $X_{max} = [(Winding\ Depth - magnetic\ gap\ depth)/2] + (magnetic\ gap\ depth / 3)$
 - (3) Maximum excursion before permanent damage
 - (4) Maximum power is defined as 3dB greater than nominal power
 - (5) NBR
- Packaged and sold in multiples of 36 units



POLARITY +

